



a/Ex[®] LARGE AUTOMATED LINEN CENTER

DATA & TECHNICAL SPECIFICATIONS

SECURE

Linen is always covered

- Supports Joint Commission requirements
- Ensures linen is always covered

EASY

Access linen with hospital ID

- Weighs the amount of linen removed
- Communicates to user the cost of linen

PROACTIVE

Communicates with staff

- Automatic notifications when low or out of stock
- Real-time data updates

FEATURES

USAGE

- Access to clean linen to authorized users only
- Displays linen weight dispensed and associated costs
- User can notify management when inventory is low

DESIGN

- Rugged construction & ballistic nylon curtain
- Patented technology tracks linen weight

ADMINISTRATION

- Reports and real-time inventory monitoring

INTERFACES

- LCD screen
- Alphanumeric keypad
- Card/Badge reader

USER ACCESS

- Hospital ID badge

DISPENSE TIME

- Less than 3 seconds



SPECS

DIMENSIONS

- 30.75 "W x 74"D x 78.5"H

CAPACITY

- 650 lbs

APPROVALS

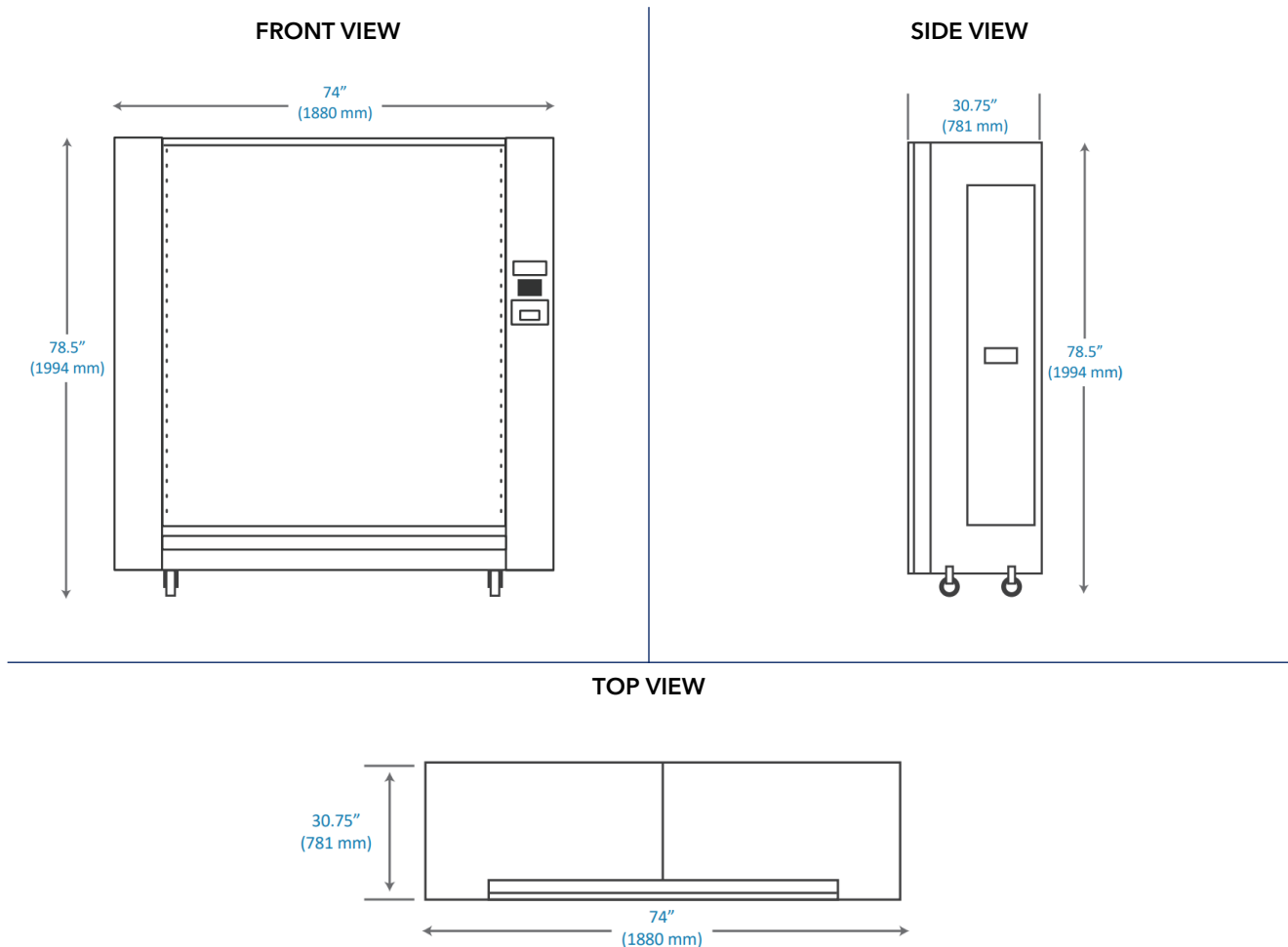
- UL and CSA Certified
- FCC Compliant
- OSHPD Compliant (OPM)

WARRANTY

- New capital purchase includes 1-year complimentary *coverCare*[™] service plan
- All subscription programs include *coverCare*[™] service plan

Product Specifications

a/Ex® Large Automated Linen Center



REQUIREMENTS

INFORMATION TECHNOLOGY

- Web-based *clearView*™ software remotely hosted; No confidential information maintained
- Each machine requires one RJ45 data port
- Port 443 used for outbound access to Internet to communicate with server
- Port 4777 used for machine-to-machine synchronization inside the firewall boundary

POWER

- 120 VAC, 60 Hz, 3 Amp Max
- Also compatible with International 240 VAC, 50 Hz
- Duplex outlet 81" from finished floor

INSTALLATION

- Wall or floor mounting (kit included)
- OSHPD seismic mounting kits available (OPM)
- Alcove installation supported